

# QUARTER TURN ELECTRIC ACTUATOR

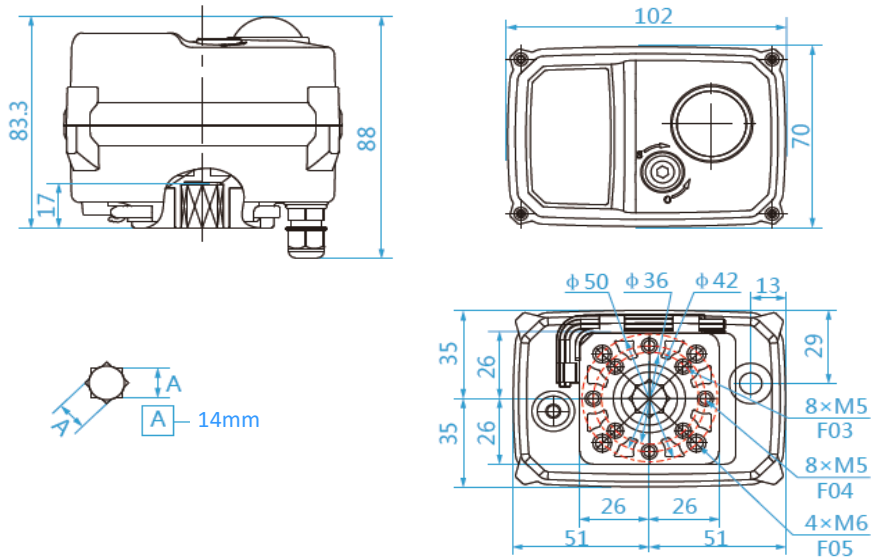
## AVA-B20 BASIC ON-OFF 20Nm



| Model:                    | AVA-B20 20Nm BASIC ON-OFF ELECTRIC ACTUATOR  |                  |                    |                     |                      |
|---------------------------|--|------------------|--------------------|---------------------|----------------------|
|                           | AC 1ph 50/60Hz   |                  |                    | DC                  |                      |
| Rated Voltage             | AC230V   | AC110V           | AC24V              | DC24V               | DC12V                |
| Voltage Range             | AC 190-250V  | AC90-130V        | AC22-28V           | DC22-28V            | DC10-15V             |
| Consumption               | 13.2W run, 0W hold   | 15W run, 0W hold | 10.8W run, 0W hold | 9.6W run, 0.3W hold | 93.5W run, 0.3W hold |
| Peak current              | 60mA for 5ms   | 135mA for 5ms    | 450mA for 5ms      | 500mA for 5ms       | 1A for 5ms           |
| Fuse                      | 1A   | 1A               | 2A                 | 2A                  | 2A                   |
| Maximum Break Torque Nm   | 20   |                  |                    | 20                  | 15                   |
| Run & Reseat Torque Nm    | 15   |                  |                    | 15                  |                      |
| Manual operation          | Yes, by hexagonal wrench (supplied in clip) when no power is being applied                                 |                  |                    |                     |                      |
| Run time                  | ≈ 15 sec   |                  |                    | ≈ 10 sec            | ≈ 12 sec             |
| <b>STANDARD FEATURES:</b> |  |                  |                    |                     |                      |
| Operating frequency       | Not continuous, allow ≥ 1 minute between cycles  |                  |                    |                     |                      |
| Position confirmation     | Mechanically driven dome style visual 2 colour indicator   |                  |                    |                     |                      |
| Mounting restriction      | None, can be mounted at any angle. Leave room for space to operate manually, and for electrical connection |                  |                    |                     |                      |
| End Position indication   | Micro-switches operated by adjustable internal cams , set slightly ahead of the final motor stop position. |                  |                    |                     |                      |
| ISO:5211                  | F03 & F05 (+ F04 which mounts at 45 degrees)   |                  |                    |                     |                      |
| Working Angle             | Factory set at 90° ±2°, maximum angle of rotation 360°   |                  |                    |                     |                      |
| Female drive              | 11mm Star (14mm octagon option) x 17mm deep  |                  |                    |                     |                      |
| Ingress protection        | IP67, recommend cover provided if exposed to direct rain or sun  |                  |                    |                     |                      |
| Max media temp            | ≤ 80C  |                  |                    |                     |                      |
| Ambient temp              | -20 to +60C (ABS) -20 to +80C (Aluminium)  |                  |                    |                     |                      |
| Non-operating temp        | ≤ -40C to ≥80C   |                  |                    |                     |                      |
| Ambient humidity          | 5-95% RH non-condensing  |                  |                    |                     |                      |
| Explosion proof           | No, prohibited. Do not use in hazardous areas  |                  |                    |                     |                      |
| Housing                   | Plastic (ABS)  |                  |                    |                     |                      |
| Weight                    | With standard ABS housing 0.78kg (With optional aluminium housing 0.98kg)                                  |                  |                    |                     |                      |
| Options                   | Available failsafe using capacitor. See Model AVA-B24 for details  |                  |                    |                     |                      |

Dimensions: (mm)

AVA-B20 20Nm BASIC ON-OFF ELECTRIC ACTUATOR



Options:

AVA-B20 20Nm BASIC ON-OFF ELECTRIC ACTUATOR

| Model    | Voltage   | Housing         | Heater            | Control of on-off function & end of travel confirmation   |
|----------|-----------|-----------------|-------------------|---|
| AVA-B20- | 1 AC 230V | P Plastic (ABS) | 0 None            | A SPDT. Switchable +ve/ live. No end of travel confirmation switches.   |
|          | 2 AC 110V | A Aluminium     | H 5W/24k $\Omega$ | B SPDT. Switchable +ve/ live. 2 x Volt free end of travel confirmation switches.  |
|          | 3 AC 24V  |                 |                   | C SPDT. Switchable +ve/ live. 2 x End of travel switches powered from motor switches.   |
|          | 4 DC 24V  |                 |                   | D SPDT. Switchable +ve/ live. 10k $\Omega$ Potentiometer feedback.  |
|          | 7 DC 12V  |                 |                   | F SPST. Make or break switch. 2 x Volt free end of travel confirmation switches.  |
|          |           |                 |                   | Note: See AVA-B24 data sheet for failsafe version (15Nm) . Fails safe by capacitor on loss of power. Only available with 'B' or 'F' wiring options. |

NOTE: UK STANDARD STOCK IS WITH WIRING 'B', ANY OTHERS ARE FACTORY OPTIONS. DETAILS AVAILABLE ON REQUEST.

Wiring Diagrams:

AVA-B20 20Nm BASIC ON-OFF ELECTRIC ACTUATOR

